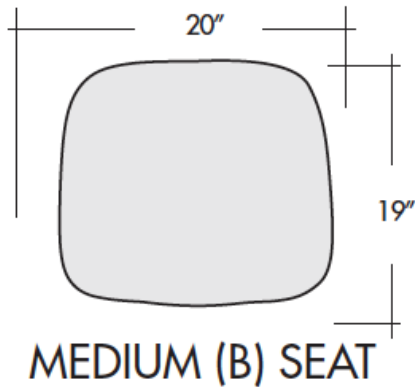
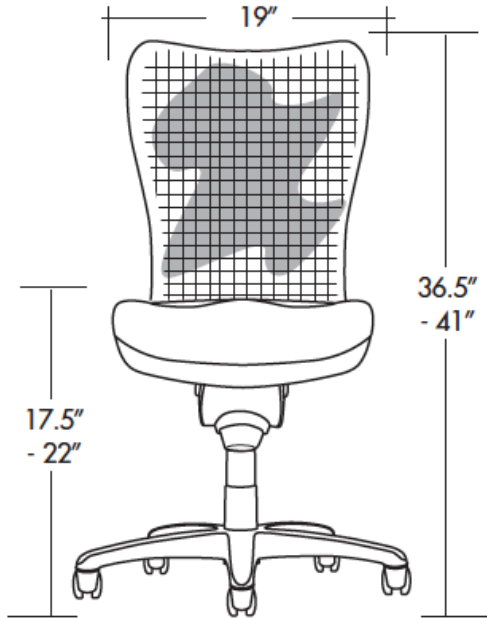
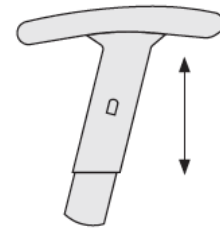


Riva Act 2 Specifications



Seat – COM .75 yd; COL 8.5 sq. ft.



Height Adjustable Arm
-38A4 ●

CONSTRUCTION

Seat Upholstery Platform:

Kiln-dried, laminated hardwood that incorporates compound curve design and “T-nut” connection hardware.

Back Upholstery Platform:

Injection molded plastic that incorporates a reinforced, compound curved design and “T-nut” connection hardware.

Foam:

High density, cold cured, molded, CFC-free, polyurethane foam manufactured specially for VIA using a proprietary formula to give our chairs that special initial feel and long lasting comfort.

Connection Hardware:

Inserted into the upholstery platforms are durable metal-to-metal “T-nut” connectors.

Arm Pads:

Durable but supple self-skinned urethane.

Base:

The standard base is five-star, glass filled nylon.

Casters:

The standard casters installed on our chairs are hooded 55mm, heavy duty, twinwheeled, carpet casters.

Testing:

All chairs have been tested to comply with, and in many cases exceed, ANSI/BIFMA standards.