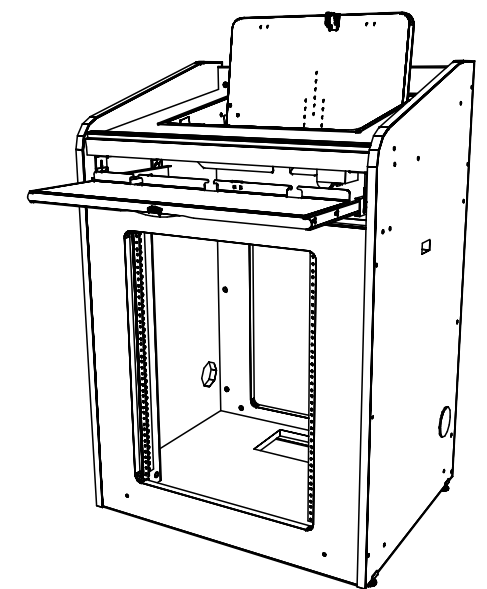
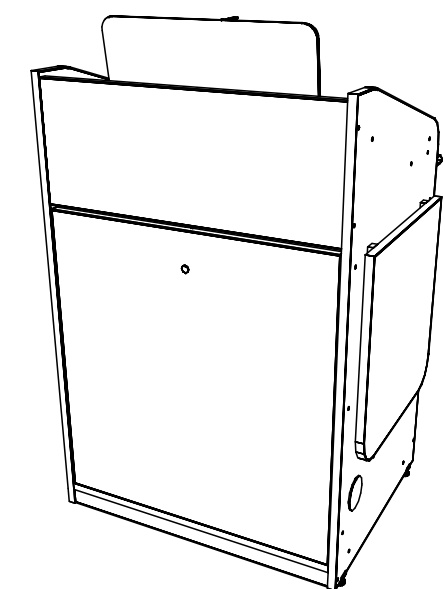
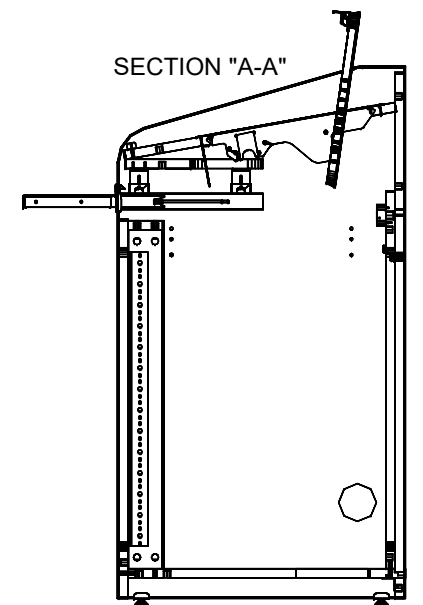
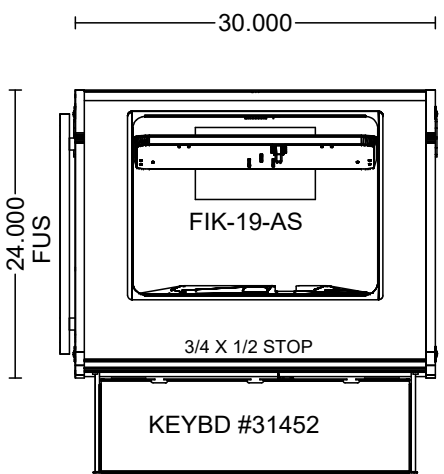



MATERIAL:
FINISH:
EDGE:



REVISIONS				TOLERANCES	PART NAME		 <small>where design meets technology™</small> 800.770.7042 www.Smartdesks.com
SYM	DATE	BY	DESCRIPTION	UNLESS SPECIFIED OTHERWISE	DATE:	DRWN BY:	
				DECIMALS	SCALE:	CAD NO.	
				.X : —	CHK'D BY:	CNC NO.	
				.XX : —	<small>NOTICE: This drawing is the property of CRT Supply, Inc. dba SMARTdesks and contains proprietary information that is not to be used except in the consideration of bids or proposals tendered herewith. Reproductions or copying of the drawing, in whole or in part, is prohibited.</small>		
				.XXX : —	<small>PRODUCT GROUP</small>		
				ANGLE : —	<small>DRAWING NO.</small>		
					<small>REV.</small>		

MFI-302445-K19-FL